

Core Flip

Assembly Instructions

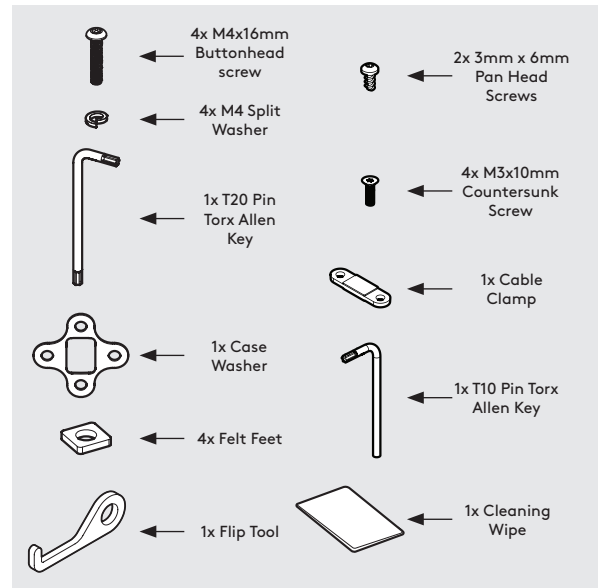
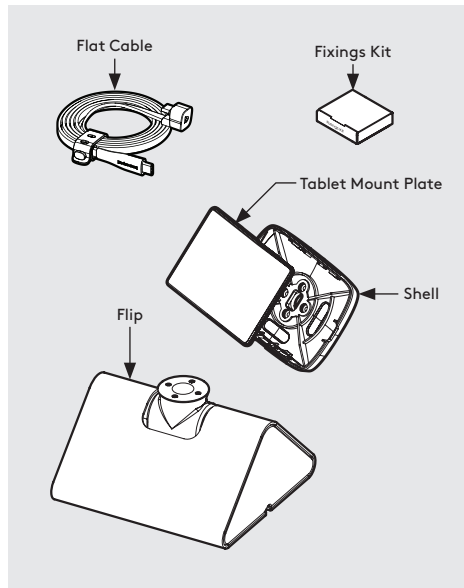
Tools Required:

- All tools provided

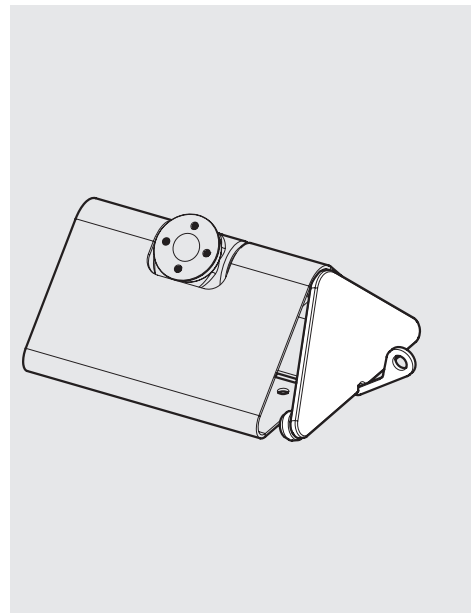
Sheet Code: BP-IM-081_REV0

Release Date: 07/08/2024

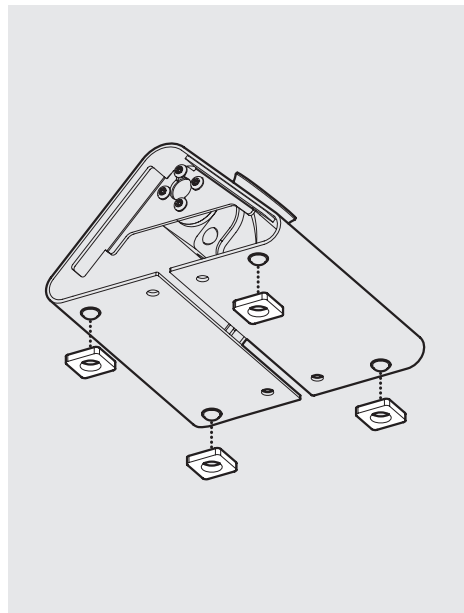
Copyright 2024 Spotspot Ltd. (T/A Bouncepad) all rights reserved. Confidential, no part of this publication may be reproduced or transmitted in any form without the written permission of the copyright holder.



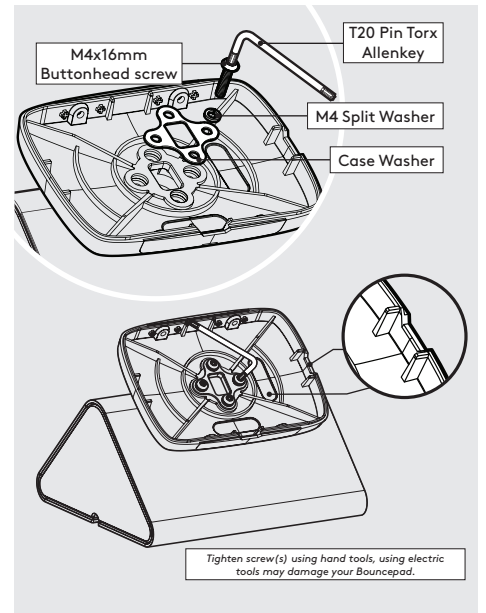
* Due to the modular nature of our product range you may receive additional fixings in the fixings kit



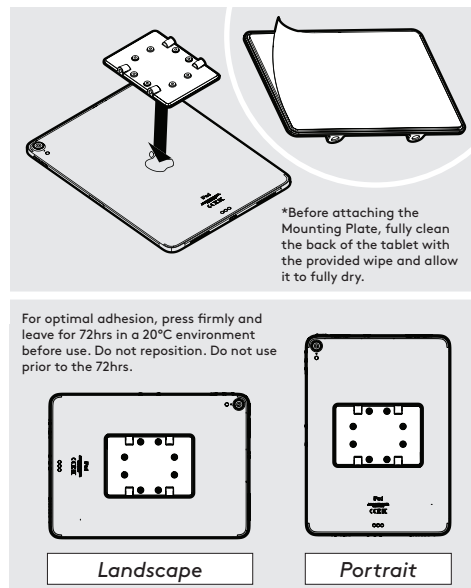
1 Remove the End Plates from the Flip using the supplied tool.



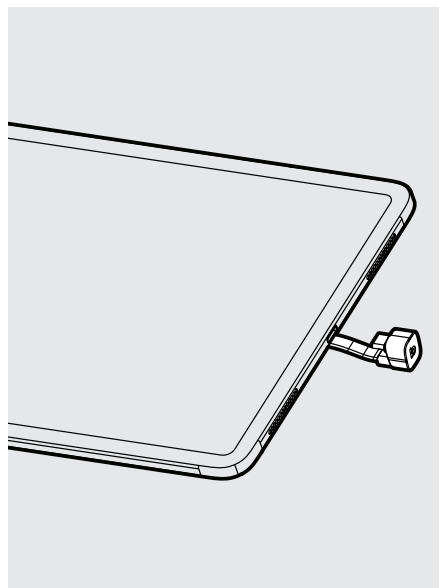
2 If wishing to slide your Flip across your mounting surface, apply the supplied Felt Feet as shown.



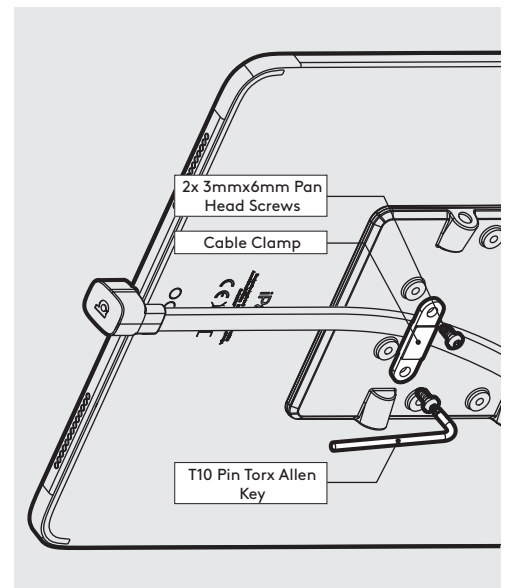
3 Attach the Shell to the Flip. Take care to ensure correct & full thread engagement.



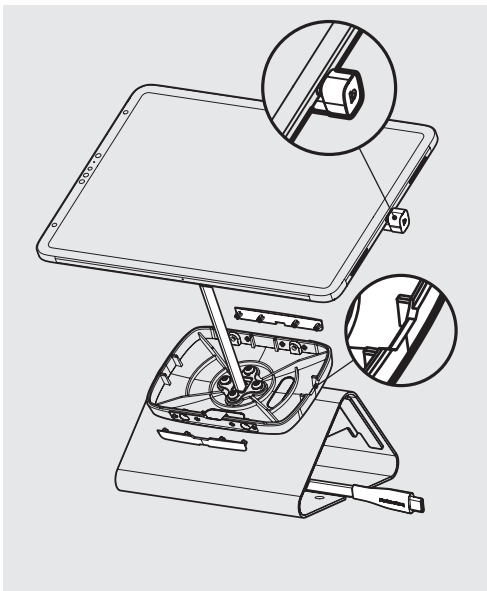
4 Remove the Mounting Plate adhesive backing. Attach level & centrally to the Tablet back as shown.



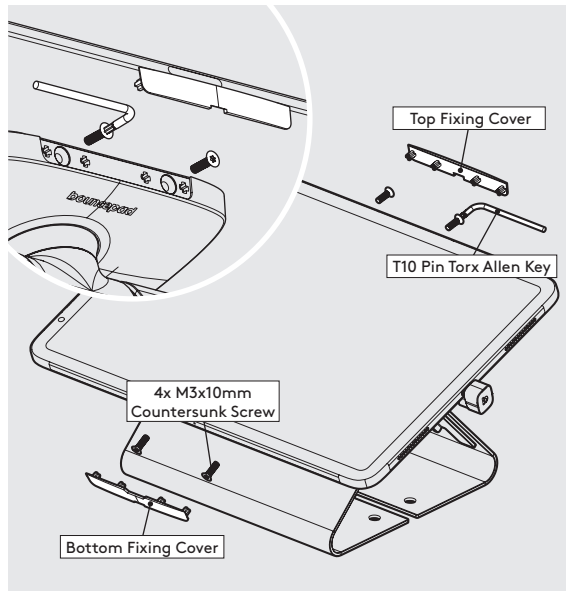
5 Attach the Flat Cable to the Tablet with the U-Bend Head.



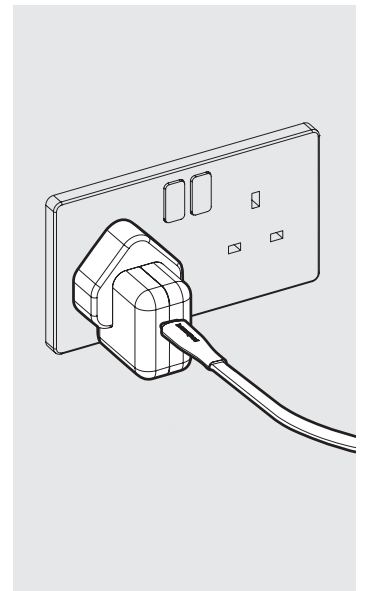
6 Secure the Flat Cable to the Mounting Plate with the Cable Clamp as shown.



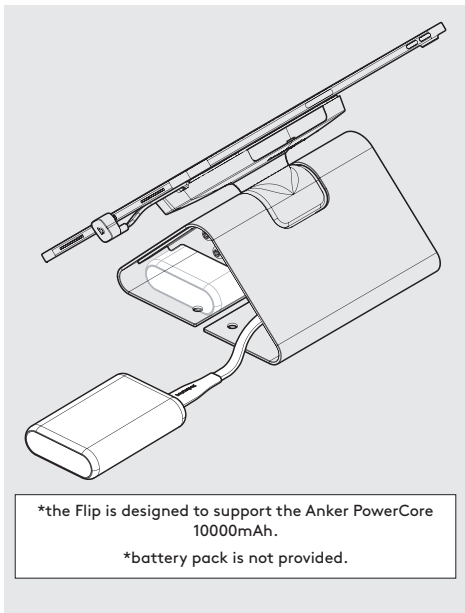
7 Remove the Fixing Covers. Feed the Flat Cable into the assembly & locate the Tablet in the chosen orientation.



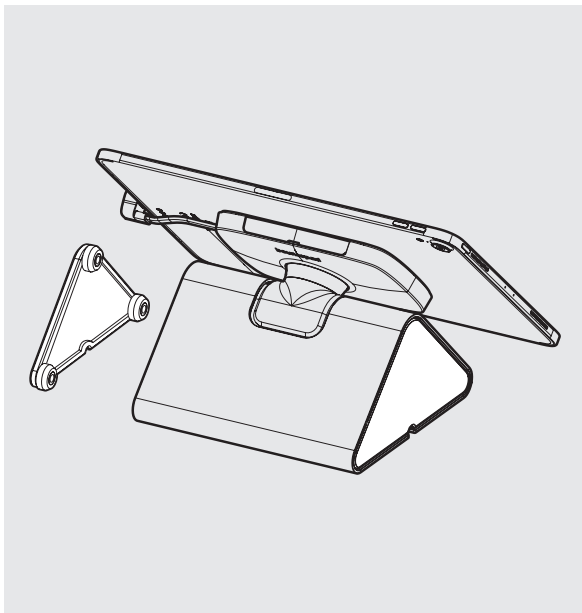
8 Secure the Tablet to the Shell & attach the Fixing Covers as shown.



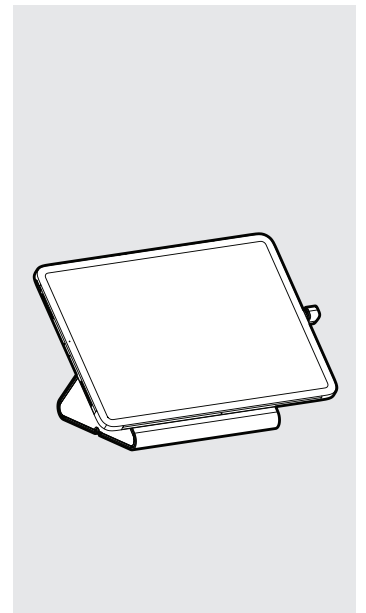
9A Connect the tablet power cable to its mains power source.



9B If installing a battery pack, connect the tablet cable & locate the pack into the Flip.



10 Locate the Flip End Plates onto the Flip Base.



11 Installation is now complete.