

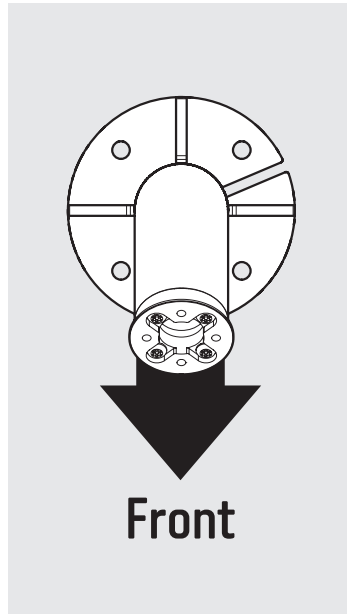
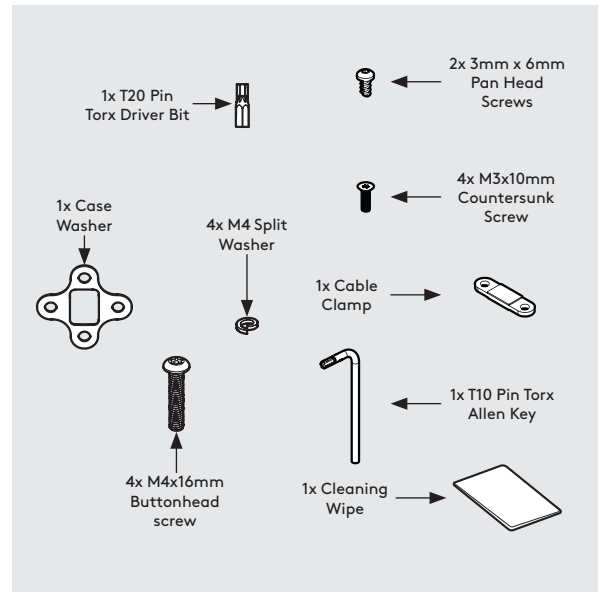
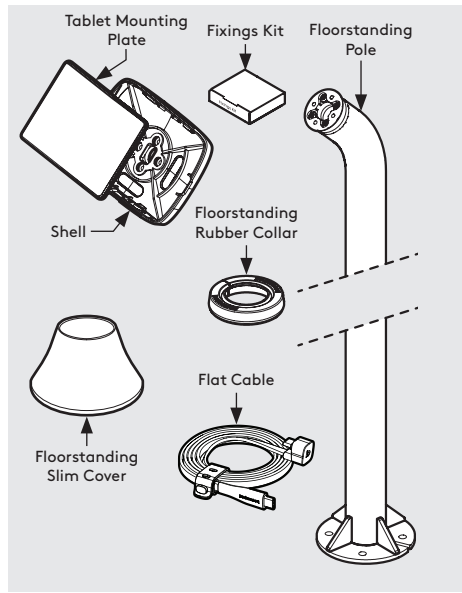
Core Floorstanding Slim Assembly Instructions

Tools Required:

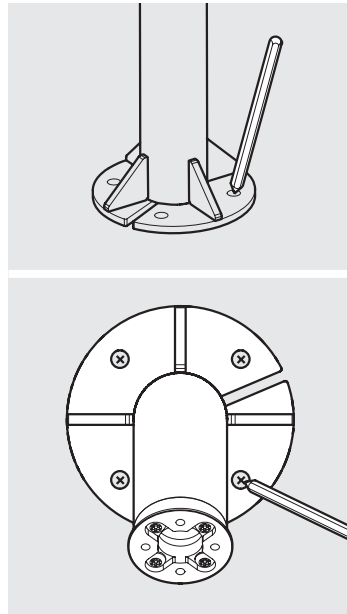
- Pencil
- Socket Driver
- Drill **or adjustable spanner*
- Drillbit **Please note that the drillbit size & type will be determined by your chosen fixing method and material of the mounting surface. Ensure you have access to the appropriate tools to secure the floorstanding to your mounting surface. *Bouncepad does not provide these fixings.*

Sheet Code: BP-IM-093_REVO
Release Date: 15/08/2024

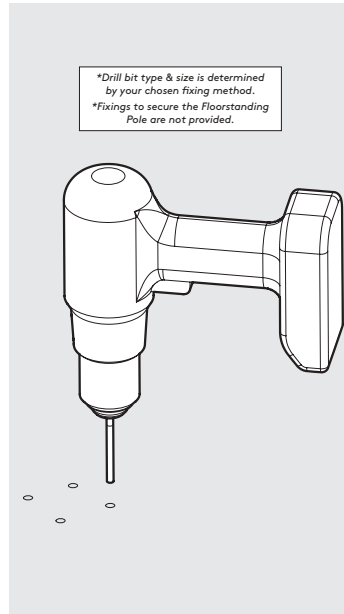
Copyright 2024 Spotspot Ltd. (T/A Bouncepad) all rights reserved. Confidential, no part of this publication may be reproduced or transmitted in any form without the written permission of the copyright holder.



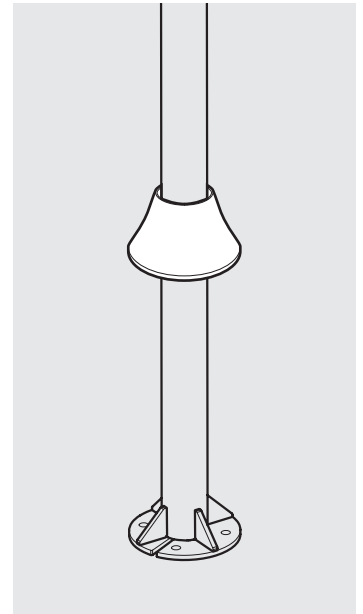
1 Position & orientate the Floorstanding pole in the location of final install.



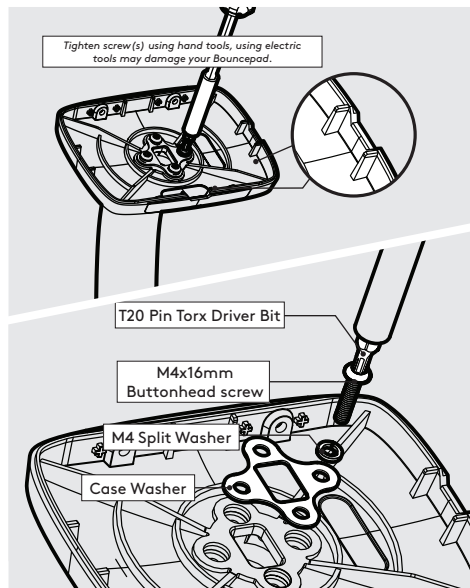
2 Mark the drill hole locations on the mounting surface.



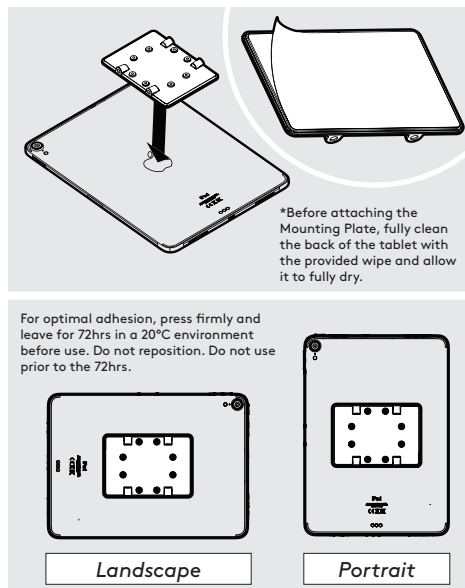
3 Drill all four fixing holes into the mounting surface.



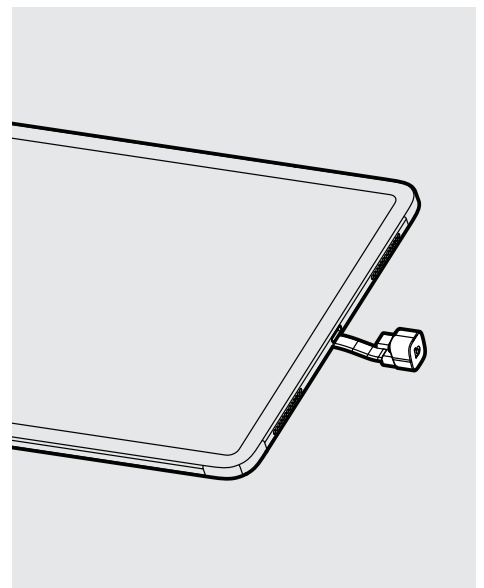
4 Locate the Floorstanding Slim Cover over the Floorstanding Pole.



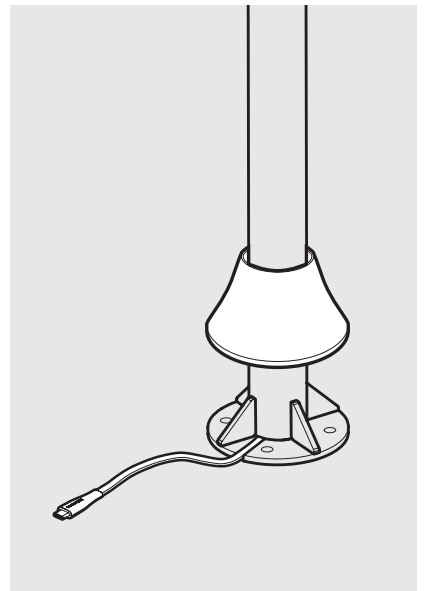
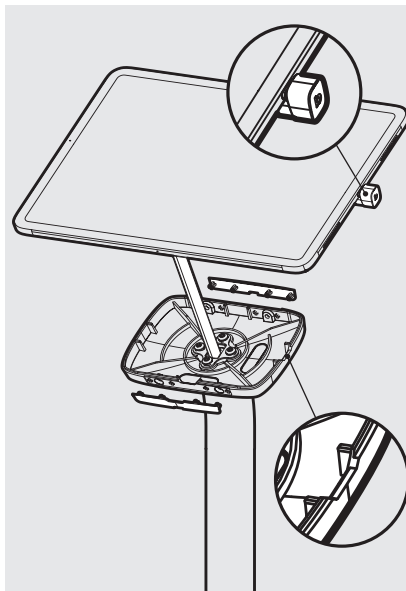
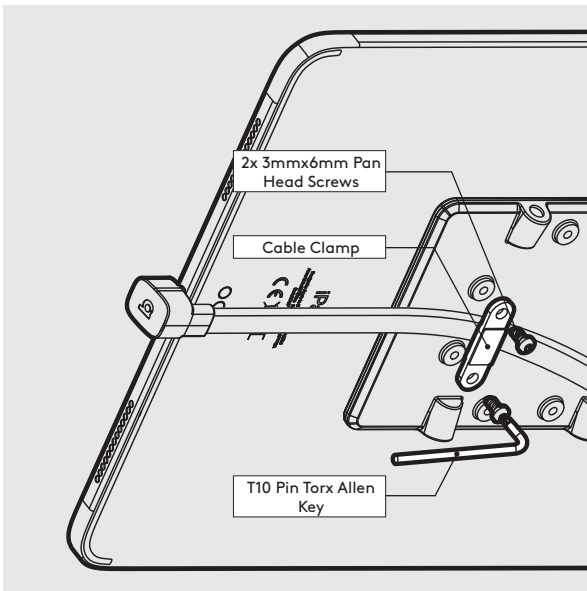
5 Locate & attach the Shell to the Floorstanding in the correct orientation.



6 Remove the Mounting Plate adhesive backing. Attach level & centrally to the Tablet back as shown.

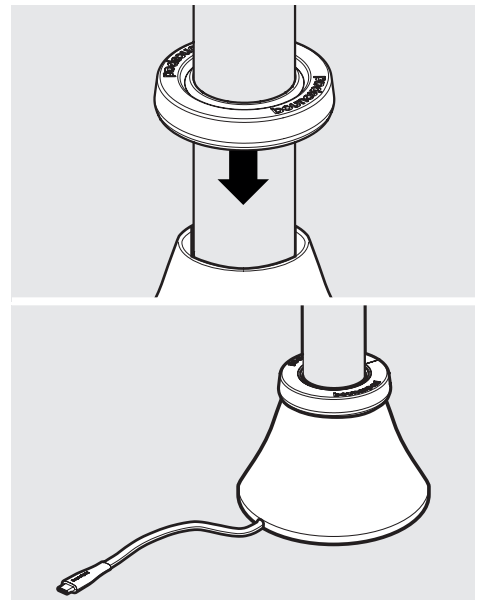
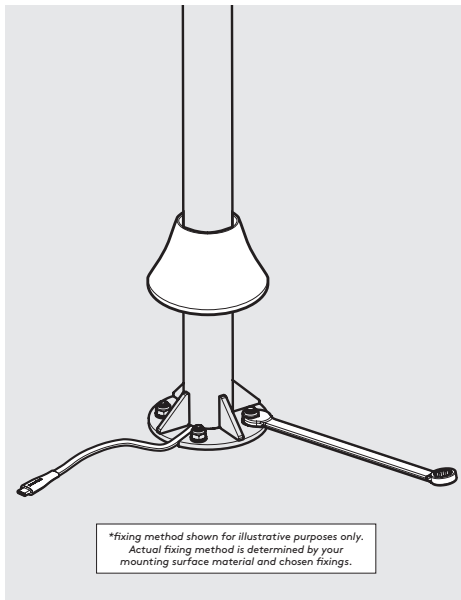
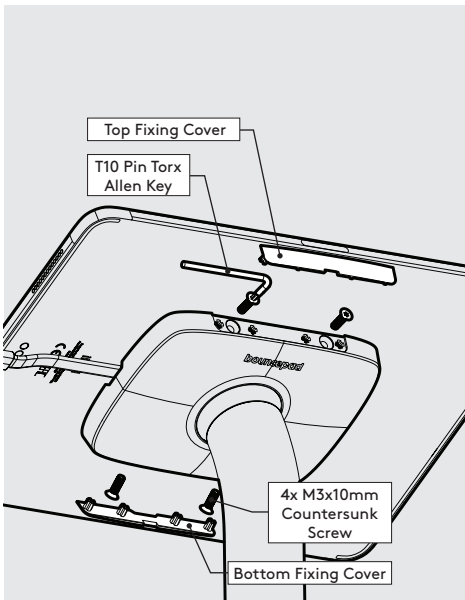


7 Attach the Flat Cable to the Tablet with the U-Bend Head.



8 Secure the Flat Cable to the Mounting Plate with the Cable Clamp as shown.

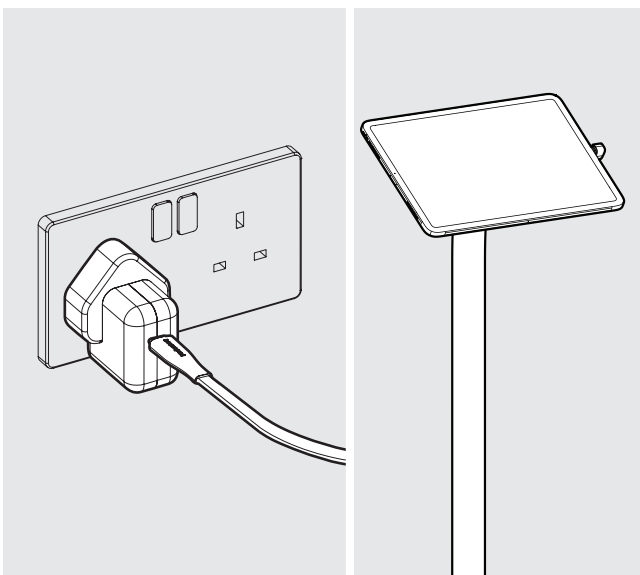
9 Remove the Fixing Covers. Feed the Flat Cable into the assembly & locate the Tablet in the chosen orientation.



10 Secure the Tablet to the Shell & attach the Fixing Covers as shown.

11 Secure the Floorstanding Pole to the mounting surface, using your chosen fixing method.

12 With the Floorstanding Slim Cover on the ground, locate & fit the Floorstanding Rubber Collar.



13 Connect tablet to power & installation is now complete.