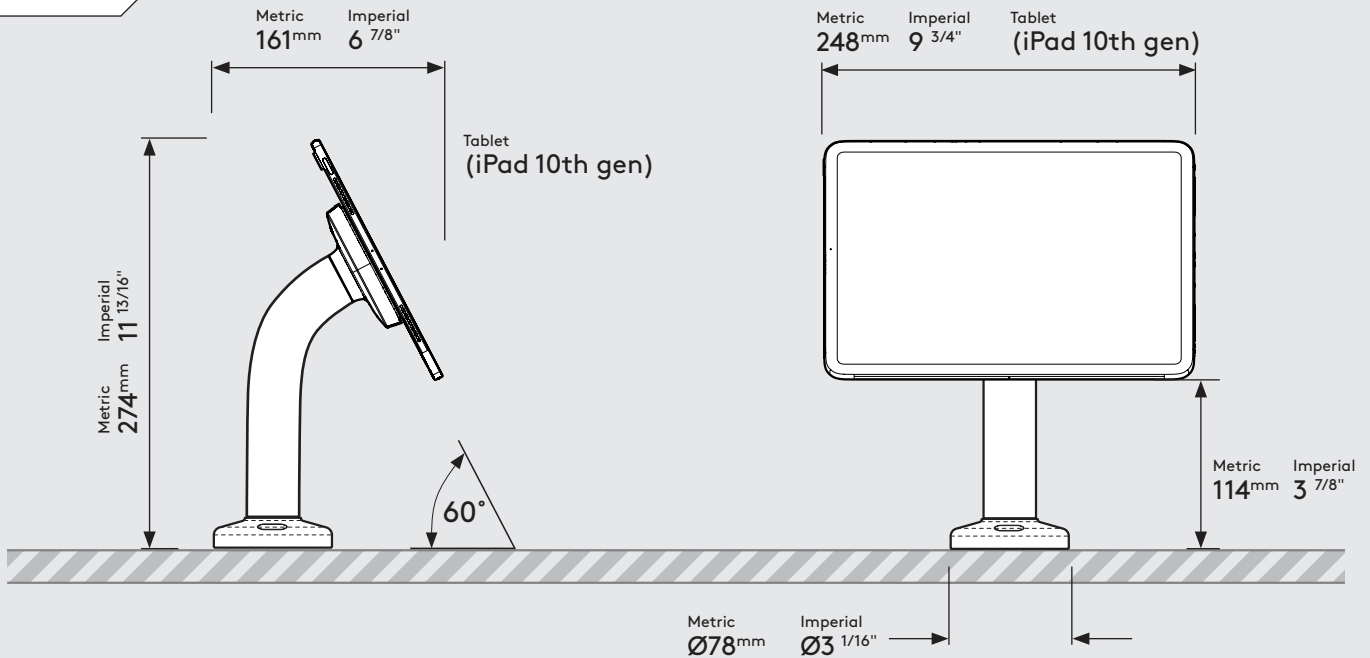


PRODUCT DATA SHEET - CORE SWIVEL 60

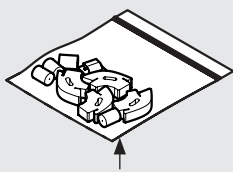
bouncepad[®]

Tablet attachment:	Arm:	Mounting:	Packaged weight:	Colour:
Core	S60	Freestanding Base	2.2kg	White Black

Dimensions

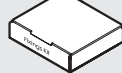


Parts in the Box



Tablet Set-up Kit

Fixings Kit



Mounting Plate
Brass, Stainless Steel

Faceplate
Powder coated
Stainless Steel

Sticker Pad
3M VHB Adhesive

S60 Mounting Arm
Powder coated Stainless Steel,
Aluminium

Compact Rotate