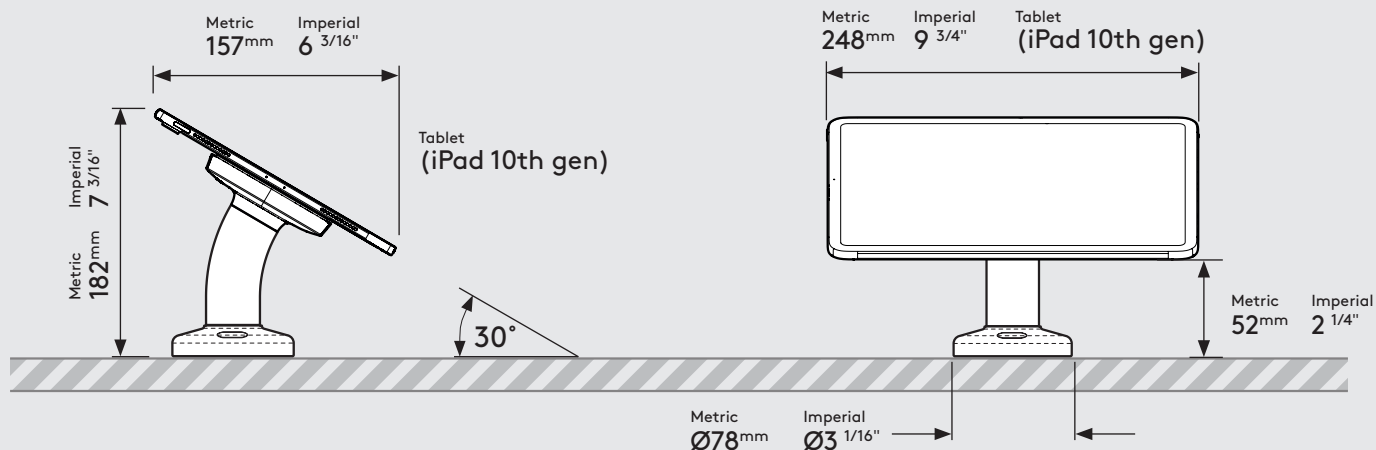


PRODUCT DATA SHEET - CORE SWIVEL DESK

bouncepad[®]

Tablet attachment: Core
Arm: Desk
Mounting: Freestanding Base
Packaged weight: 2.9kg
Colour: White
Black

Dimensions



Parts in the Box

